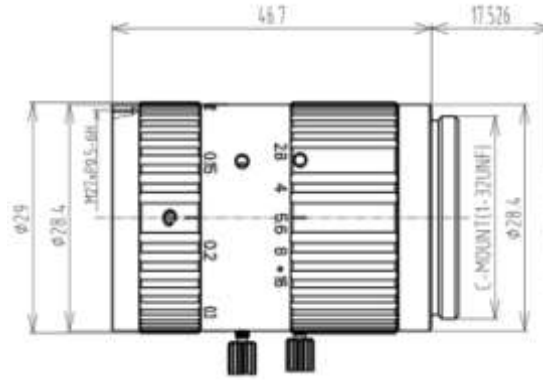


FEATURES

- ◆ Lens Brand: ZLKC
- ◆ 2/3" C-Mount 35mm F2.8 10MP
- ◆ Can suppress stray light
- ◆ Distortion less than 0.1%
- ◆ Compact appearance


SPECIFICATION

10MP 35mm Low Distortion FA Lens C Mount		Working Distance	Optical Magnification	2/3" Field of View(mm)		
Model	HM3528MP10	mm	X	H	V	
Image Size	2/3-inch	5000	0.007X	1235	940.0	
Focal length	35mm	2000	0.018X	501.6	376.2	
F No.	F2.8-16	1000	0.035X	251.1	188.4	
M.O.D(m)	0.1-Inf.	900	0.039X	226.1	169.6	
Operation	Iris	Manual	800	0.044X	201.0	150.8
	Focus	Manual	700	0.050X	176.0	132.0
Angle of View (DxHxV)	2/3"	16.3°x13.1°x9.9°	600	0.058X	150.9	113.2
	1/2"	11.9°x9.5°x7.2°	550	0.064X	138.4	103.8
	1/3"	8.8°x7.2°x5.5°	500	0.070X	125.9	94.4
Distortion	<0.1%	450	0.078X	113.4	85.0	
BFL	16.55mm	400	0.087X	100.8	75.6	
Mount	C-Mount	350	0.100X	88.3	66.2	
Object Dimension	75.8mmx56.8mm(WD=300mm)	300	0.116X	75.8	56.8	
Dimension	Φ29x46.7mm	250	0.139X	63.2	47.4	
Weight	58.2g	200	0.174X	50.7	38.0	
Filter Thread	M27x 0.5	150	0.231X	38.1	28.6	
Working Temperature	-20°C ~ +60°C	100	0.347X	25.5	19.2	