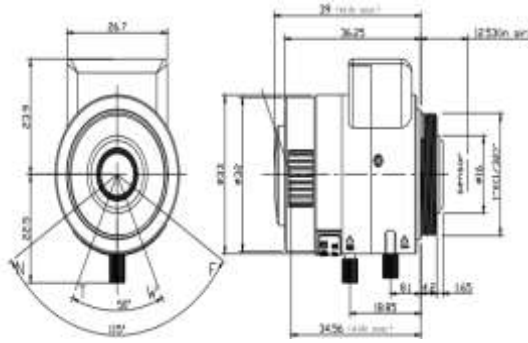


FEATURES

- ◆ Lens Brand: ZLKC
- ◆ 1/3"CS-Mount 3.5-8mm F1.4-360 2MP
- ◆ Locking set screws for focus and zoom
- ◆ Large aperture, compact appearance
- ◆ Required for high accuracy


SPECIFICATION

Model	VG0358MPIR	
Image Size	1/3-inch	
Focal length	3.5-8mm	
F No.	F1.4-360	
M.O.D(m)	0.2m	
Operation	Iris	Auto
	Focus	Manual
	Zoom	Manual
Distortion	1/2.7"Type	-11%@wide
	1/3"Type	-13%@wide
Horizontal Angle of View	1/3"Type	90°x28°
Mount	CS-Mount	
Dimension	Φ32x39mm	
Weight	55.0g	
Remark	2MP CCTV Lens	